

Kara Pure™



WORLD'S 1ST AIR-TO-WATER  
DISPENSER OF MINERAL-RICH  
ALKALINE WATER

# User Manual

Please read all instructions before connecting  
your appliance to a power supply.

This user manual is for Kara Pure.

*Read This Manual First*

Important: Keep this manual in a safe place  
[www.z3live.com/kara-pure](http://www.z3live.com/kara-pure)

Version 3.00



## Table of Contents

Introduction	3
Notes	3
How Kara Pure works	4
Precautions	5
Safety	6
Features	6
Filter Priming	7
Set Up and Operation	8
First Setup - WIFI	8
System Status Screen	9
Maintenance	9
Filter replacement	
Cleaning	
Accessing the Filters	11
Technical Specifications	12
Warranty	13
Contact Us	13

Welcome to your new Kara Pure™.

Beginning today, you'll be tapping into a brand new source of water, drawn from the very air around you. The purity is unquestionable. Its origin is organic.

Never question the source of your drinking water again.

For the best experience, please read the instructions before operating Kara Pure™.

Just wait until this water touches your lips. Your new experience is waiting for you.

What's included in the box:

- The Kara Pure unit
- Power Cord
- Drip Tray
- Key
- WIFI Manual
- This User Manual

## Introduction

Congratulations on your purchase of Kara Pure, the most advanced desiccant based water harvester on the market. Simply plug in and enjoy the purest, freshest water you have ever tasted. No plumbing, mess or extra cost to install.

Simply plug in and enjoy!

## Notes

**\*\*Ensure that inlet and outlet exhaust ports are free from obstructions with a gap of at least 12 inches**

**\*\*Exhaust duct is on the left side of the unit.**

**\*\*Always ensure that outlet or power strip has surge protection when plugging in Kara Pure.**



## How Kara Pure works

Kara Pure harnesses the desiccant property of Zeolite. Zeolite is a naturally occurring volcanic rock that has a three dimensional crystalline structure which allows it to absorb and desorb water. Zeolite has a slight coconut taste.

Kara Pure operates on a simple three stage process using a circular zeolite harvesting “engine”:

1. Humid air is drawn into the unit and passed over the zeolite which then absorbs and captures the suspended water vapor.
2. The zeolite wheel is slowly rotated and heated to the point that the captured water is evaporated then moved by the fan into a chilled stainless steel reservoir where it becomes a liquid.
3. When the user presses the water dispensing button water is drawn from the reservoir and passed through five filter elements:

4



5

- Carbon filter 2x
- Antibacterial
- Ultraviolet
- Anti-oxidant
- Air filter (2 types)
  - Anti-bacterial
  - Anti-odor
- Ultrafilter (UF)
  - Removal of particulate
- Alkaline Antioxidant Filter (AF)
  - Improves odor and taste
  - Alkalization (pH increase to 8.5 – 9.5)
  - Beneficial mineral release
- Ultra Violet (UV)
- Disinfectant for bacteria

## Precautions

- Ensure that inlet and outlet exhaust ports are free from obstructions with a gap of at least 12 inches
- Unit must be kept upright
- Do not place anything on top of unit
- If unit is to be exposed to freezing temperatures, all water must be drained from the system

## Safety

- The electrical output must be equipped with proper grounding
- Always unplug the unit before maintenance
- Always use parts supplied by the manufacturer. Failure to do so will void the warranty.
- Before moving the location of the device, unplug and drain water reservoir
- Indoor use only

## Features

- Simple one button operation
- Activated carbon air filtration
- 10 liter water capacity
- Five-stage water filtration
- Food grade stainless steel water reservoir
- Automatic recirculating loop for continuous sanitization
- Built in fault and service indication system
- See maintenance for further detail



## Filter Priming

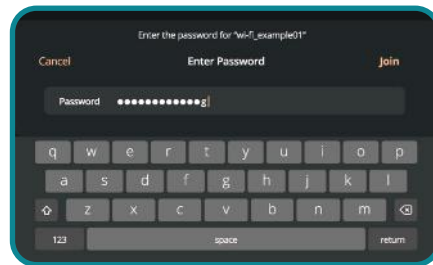
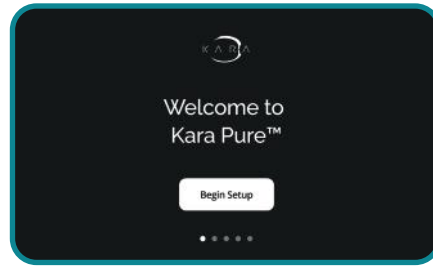
- NO TOOLS REQUIRED.
- Filter priming is an automatic function that occurs upon first use of your Kara Pure and can manually be entered when replacing your filters. Each new filter must be primed before consumption of the water.
- During first use, your Kara Pure will automatically initiate Filter Priming.
- Kara Pure will generate 3L of water which will take between 4 to 6 hours, depending on room humidity.
- Once water generation is complete, Kara Pure's interface will automatically change and ask to proceed to the next step.
- Please follow the on-screen instructions to complete the Filter Priming of your Kara Pure.
- Place a cup into pouring area and press "Begin" to start priming.
- \*\*Water may initially be discolored as loose particles from the filters are being removed. These particles contain carbon and minerals from the filters that naturally become loose during shipment and need to be recompacted. This is completely normal and will become clear upon completion on filter priming.
- Continually pour water and discard. Your Kara Pure will change screens when you have completed the Filter Priming process.
- Press "Continue" to complete.

## Setup and Operation

Remove the unit from the packaging and place on the floor in desired location which is close to a power outlet. Attach supplied power cord to unit. Place unit in a desired location close to a power outlet and plug in the wall socket.

Verify that power button is illuminated and that LCD, located at the top of the unit, is illuminated and displays the humidity in the room. You should also hear the fan start. If not, please refer to troubleshooting section.

Filters must be primed first or water may contain carbon or other loose particles from the filters. (See Filter Priming)

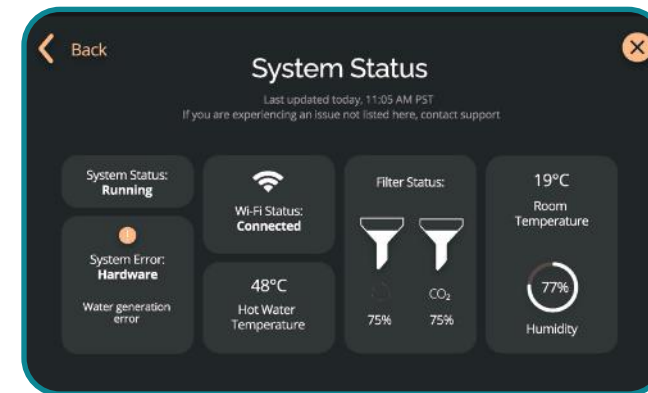


## First Setup - WIFI

- Welcome screen
- Setup WIFI.
  - Chose your access point
  - Enter password
- You can skip WIFI setup

## System Status Screen

1. On the status screen you can see the device status and related information.
2. System status: Running or stopped.
3. System Error: In case of machine malfunction you can see possible a reason.
4. Wifi status.
5. Hot water temperature. Factory set.
6. Filter status. Over time, filters should be changed. You can see filter usage statistic and a notification when it should be changed.
7. Ambient temperature and humidity.



## Maintenance

### Filter Replacement

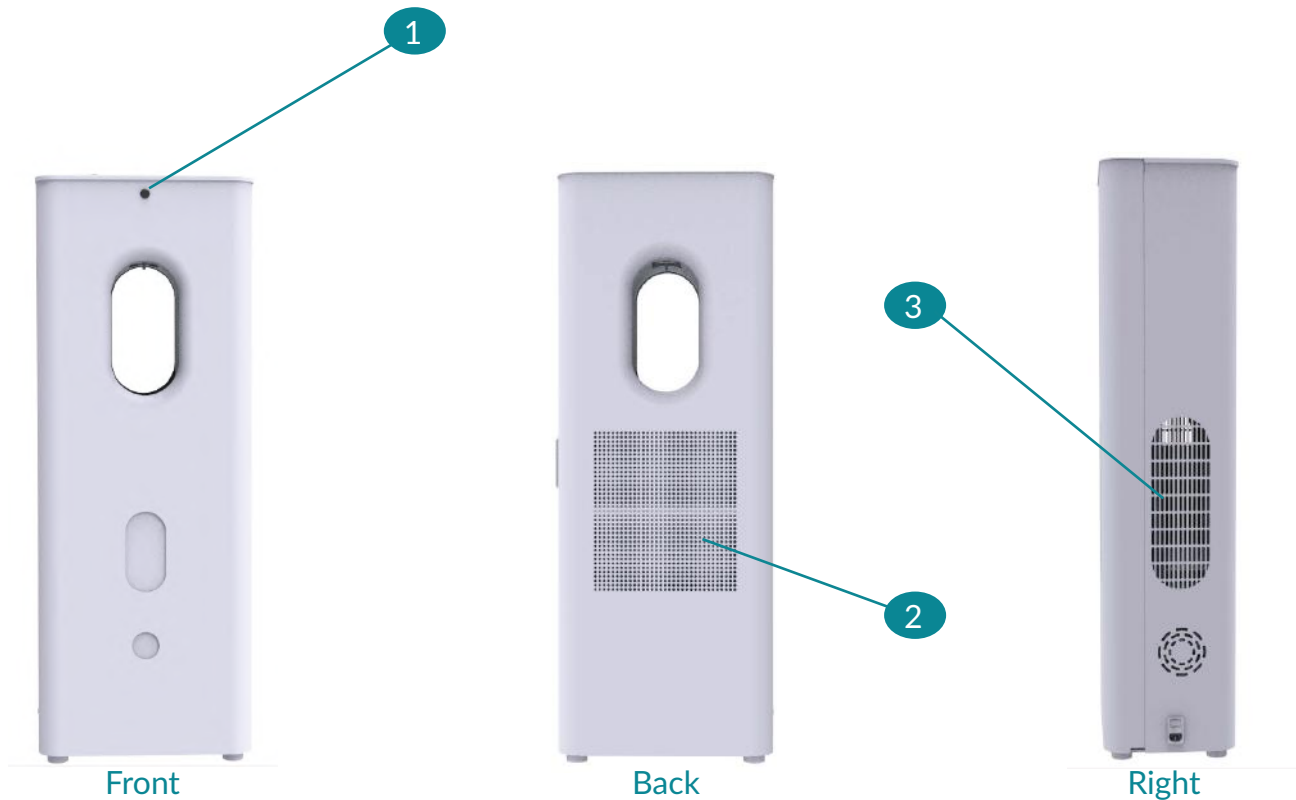
1. Unlock and open the back door
2. Filters are located at the bottom
3. “Water Sanitation/Carbon” filter is on the left and “Mineralizer” is on right  
NOTE: the order of filters is important!
4. To remove filters, twist to the left and the filter will detach
5. Replace old filter with new filter in the cap and twist to the right
6. NOTE: Do not over-twist because cap may become dislodged, damaged or it may break.

### Cleaning

Air filters need to be vacuumed or cleaned every 3 months. Ensure vents are free of dust and debris.

## The KaraPure Unit

Parts of the unit



## Accessing the Filters

To open the unit, position Kara Pure away from any obstructions. Unplug the unit. Locate the key that arrived with the unit. Locate the locking mechanism on the right hand side of the unit. Use the key to open the lock. You can now open the back door.

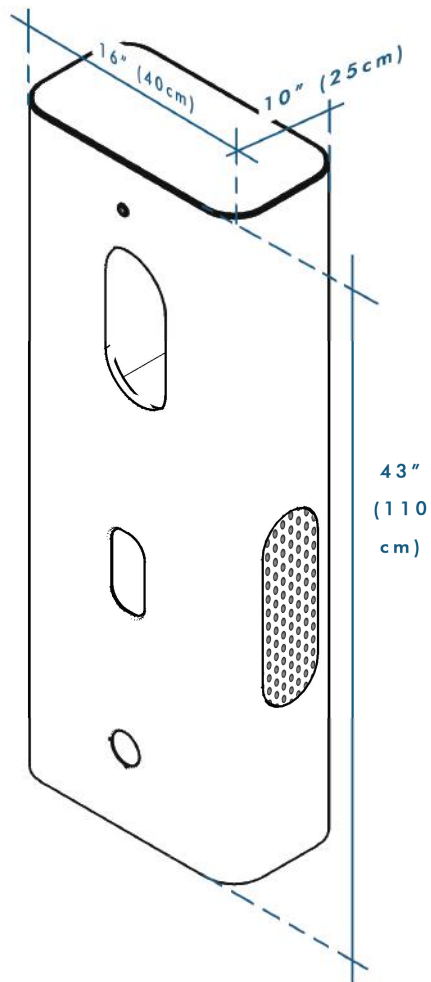
### Key

1. Pour Button
2. Air Filter Vent
3. Main Power Button
4. Door Lock
5. LCD Interface
6. Drip Tray



## Technical Specifications

Model:	Kara Pure™
Dimensions:	1070 mm/42.1" (H) 400 mm/15.75" (W) 220 mm/8.66" (D)
Power (AC):	110-120V or 220-240V 50-60Hz
Power Consumption:	588W
Color:	Stainless Steel
Water Capacity:	10 Liters
Weight (empty):	32kg (71 lbs)
Operating Rh:	60%-80% Rh
Acoustic Footprint:	30 dB (harvesting mode)
Air Purification (ACH):	200 cfm
Water Output Purity:	99.9999%
Water pH:	8.5b to 9.5 TDS-90-130 (mineral content)
Particulates (TDS):	<60
ORP (mV):	-300 to -150
Construction:	Stainless steel (food grade) BPA free plastic



## Warranty

Kara Water warrants to the original purchaser of this product that it will be free from manufacturing defects in workmanship or material for a period of agreed warranty term of 1 year from shipment date. If within your warranty term from the shipment of this product fails due to defect in workmanship or material, Kara Water will replace the defective part with a new, or rebuilt part. Warranty is non-transferable.

### The Warranty does not cover or apply to:

- Damage to the product due to misuse, mishandling, or abuse
- Product not assembled or installed according to manufacturer's instructions
- Normal wear and tear
- Improper environmental placement of appliance
- Lack of water production due to humidity or temperature levels
- Not following the User's Manual
- Acts of God
- Consequential damage and incidental damages such as damage to person or property

Refer to [www.z3live.com/kara-pure](http://www.z3live.com/kara-pure)

and click on Support for more information

or email to [KaraPure@z3live.com](mailto:KaraPure@z3live.com)

Go to [www.z3live.com/kara-pure](http://www.z3live.com/kara-pure) for updated versions of this User Manual.

## Contact Us

Z3 Live Communication AG

Baslerstrasse 98, Trimbach (SO), Switzerland

[KaraPure@z3live.com](mailto:KaraPure@z3live.com)

[www.z3live.com](http://www.z3live.com)





WORLD'S 1ST AIR-TO-WATER  
DISPENSER OF MINERAL-RICH  
ALKALINE WATER

[www.KaraWater.com](http://www.KaraWater.com)

(Z3 Live Communication Distributor of)© Kara Water, Inc.  
All Rights Reserved. 20221110 Version 3.00